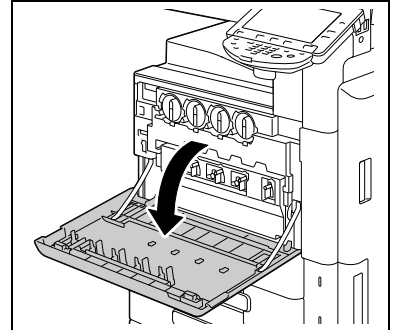


9.3 If print quality is deteriorated

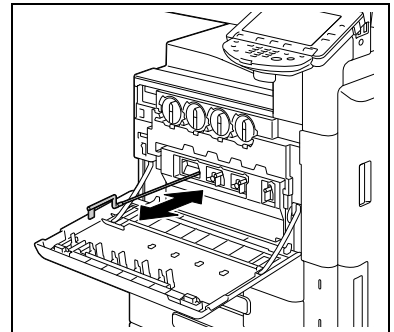
Cleaning the Electrostatic Charger Wire

If the **Electrostatic Charger Wire** is dirty, streaks will appear through the printed images. If this occurs, follow the procedure described below to clean the **Electrostatic Charger Wire**.

- 1 Open the **Front Door**.



- 2 Slowly pull out the **Charger Cleaner** as far as possible. Next, slowly push in the charger-cleaning tool as far as possible. Repeat the above operations three times.

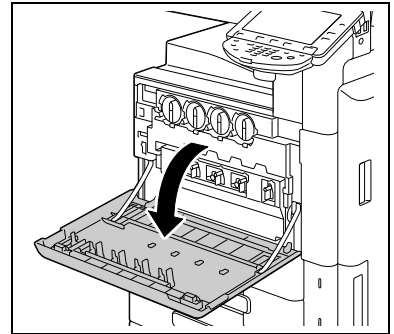


- 3 Securely insert the **Charger Cleaner**, and then close the **Front Door**.

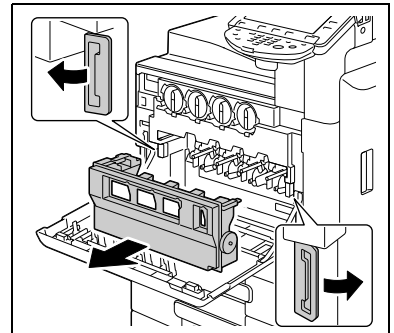
Cleaning the Printhead

If the **Printhead** becomes dirty, print quality may be reduced. If this occurs, clean the **Printhead** according to the following procedure.

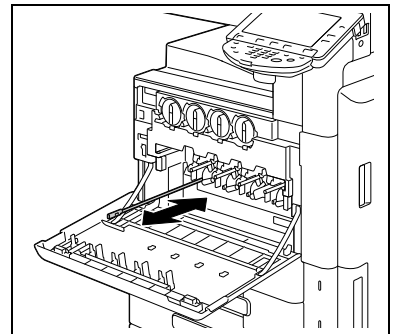
- 1 Open the **Front Door**.



- 2 Release the **Waste Toner Box Lock Lever**, and then remove the **Waste Toner Box**.



- 3 Slowly pull out the **Printhead Cleaner** toward until it stops. Next, slowly push in the charger-cleaning tool as far as possible. Repeat the above operations three times.



- 4 Securely insert the **Printhead Cleaner**, and install the **Waste Toner Box**.
- 5 Close the **Front Door**.